

**MR-BR SERIES KIT 9W**

The MR luminaire boasts ultimate sophistication, flexibility and performance. Housing a 9W tunable white light engine, this trimless luminaire this trimless luminaire has a gimbal to position the light engine at right angles.



**Dimmable Lighting**  
0 to 100% flicker free dimming



**Tunable Lighting**



**Working Temperature**



**5 Year Limited Warranty**


**PRODUCT CODES**

MR-9W-BR27-65K-W40-STL-1302-WH

MR-9W-BR27-65K-W20-STL-1302-WH

MR-9W-BR18-40K-W40-STL-1302-WH

**FRONT VIEW**

**HOUSING**

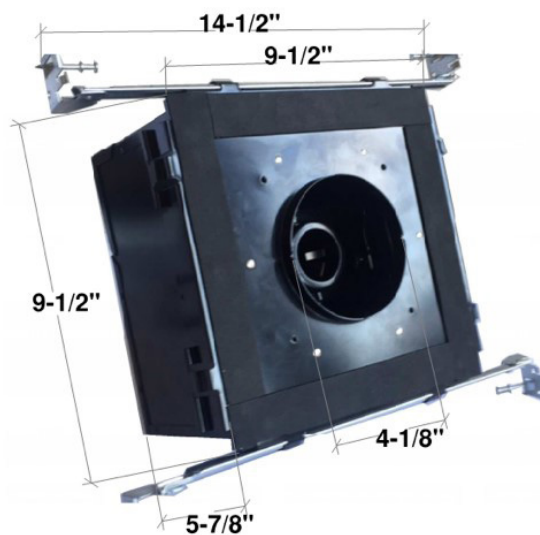
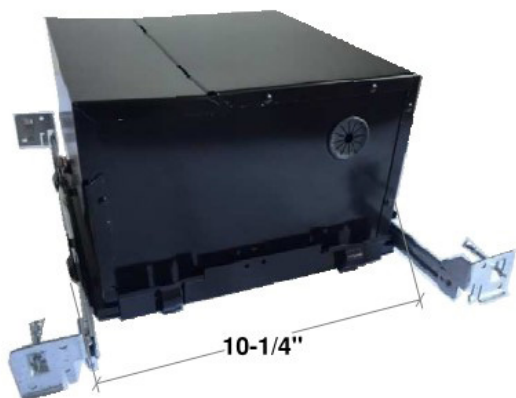
**INSTALLED LUMINAIRE**

**SPECIFICATIONS**

<b>Wattage</b>	9 Watts			
<b>Color Temperature</b>	1800K - 4000K		2700K - 6500K	
<b>Beam Angle</b>	20D	40D	20D	40D
<b>Total Lumens</b>	550 lm		650 lm	
<b>LED CRI</b>	≥95Ra			
<b>Input Voltage</b>	48 VDC, RJ45			
<b>LED</b>	COB			
<b>LM Rating</b>	LM-80			
<b>Ceiling Cut-out</b>	Ø 4-1/8" / Ø 104.77 mm			
<b>Certifications</b>	cULus E476753, JA8 Title 24			
<b>Compatible Decoder</b>	DMX-SR-2112 Decoder			
<b>Power Supply</b>	PS-SR2112-96 - Power Supply 96W			
<b>Working Temperature</b>	-10C to 40C			
<b>IP Grade</b>	IP20 Standard			
<b>Life Span</b>	50,000 Hours			
<b>Warranty</b>	5 Year Limited Warranty			

**MR SERIES - HOUSING**

<b>Overall Dimensions</b>	10-1/4" x 10-1/4"x 6"
<b>Bracket Length</b>	Adjustable, from 14 1/2" to 24 7/8"
<b>Application</b>	Designed for new construction installation and suitable for use in IC and non IC applications. Recessed directional, accent, wet locations shower, and down light.
<b>Certifications</b>	cULus <b>E476753</b> , Title 24 Compliance
<b>Accessibility</b>	From top of the fixture allows ease of rotation and the ability to adjust without complicating the installed luminaire environment.
<b>Beam Direction</b>	Allows the fixture to be easily field adjusted for precision, performance, and versatility with a simple tool less method for precision angle.
<b>Ceiling Cut-out</b>	Ø 4-1/8" / Ø 104.77 mm
<b>Ceiling Thickness</b>	Perfect fit into ceiling, takes up to 1 1/2" thick ceiling

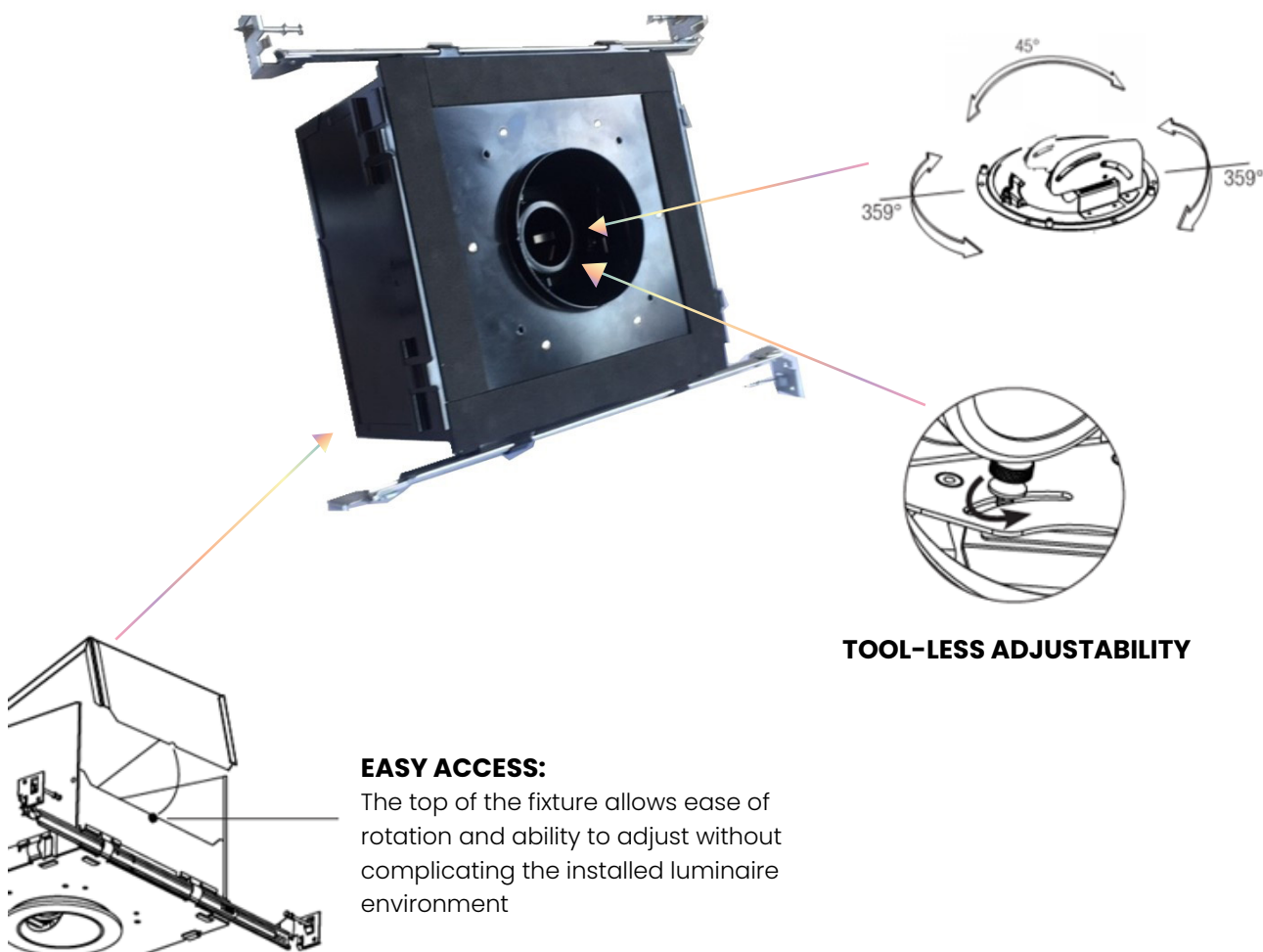


## MR SERIES - HOUSING

### AIMING

The MR Housing is hot aiming mechanism can ensure the proper position of the beam of light before the trim is installed. The lamp holder is designed to ensure that the center beam of the light bulb emerge from a fixture at any angle ranging from 0° to 45°.

The lamp holder contains degree markings, rotates 359° horizontally, and 45° vertically, without the use of any tools. The lamp holder is lockable on both the vertical and the horizontal plane. The integrity of the design and lamp positioned are kept during servicing of the fixture.



### TOOL-LESS ADJUSTABILITY

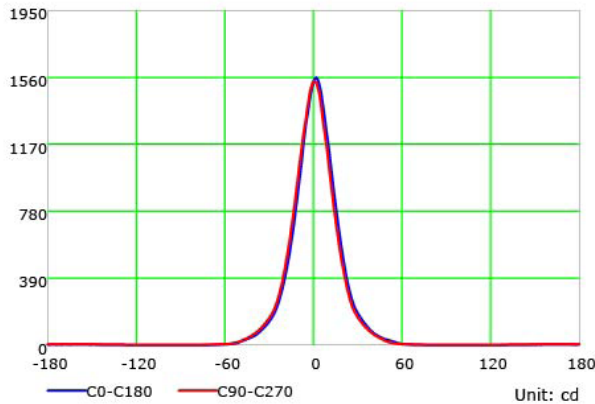
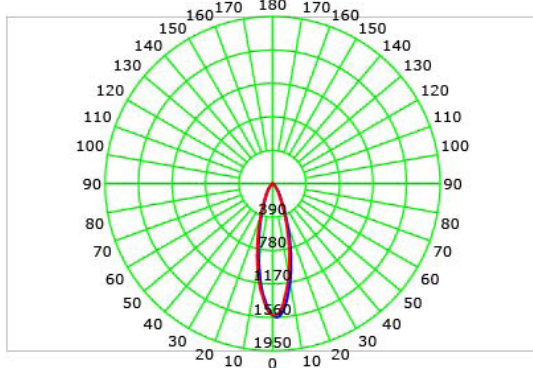
#### EASY ACCESS:

The top of the fixture allows ease of rotation and ability to adjust without complicating the installed luminaire environment

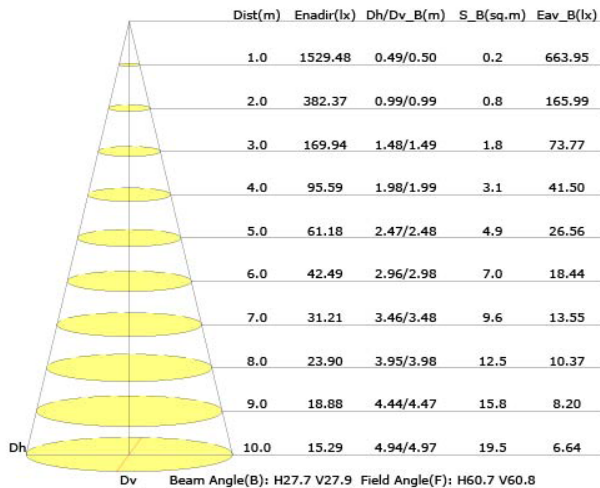
## PHOTOMETRIC INFORMATION / 20D

### COLOR TEMPERATURE / 1800K - 4000K

#### Luminous Intensity Distribution Curve

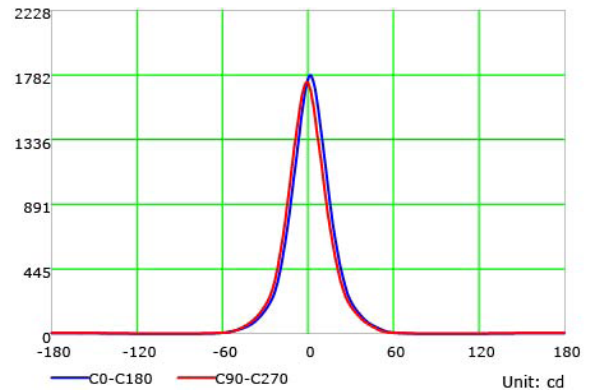
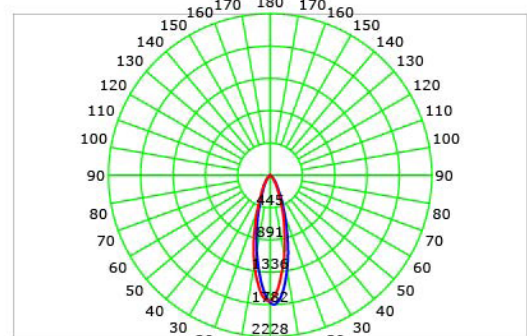


#### Illuminance at a Distance

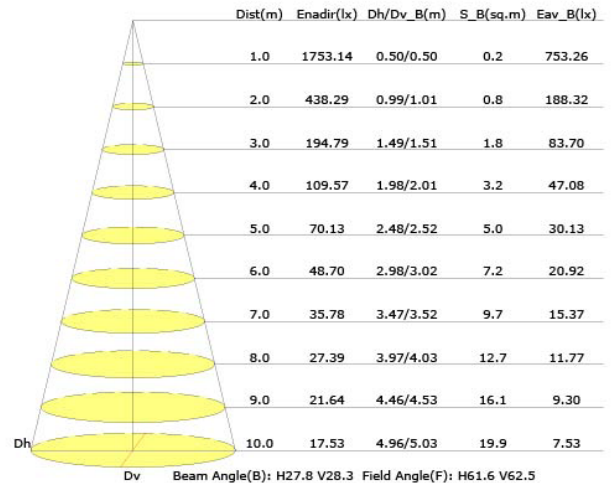


### COLOR TEMPERATURE / 2700K - 6500K

#### Luminous Intensity Distribution Curve



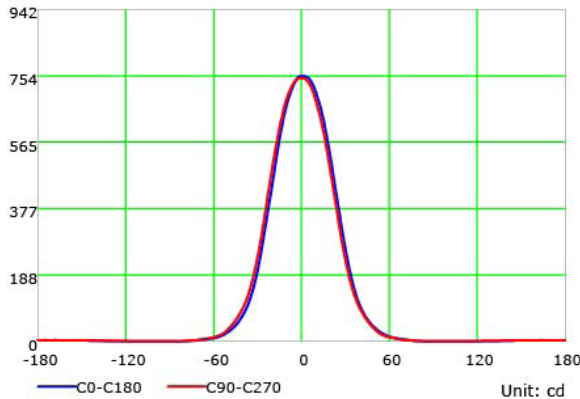
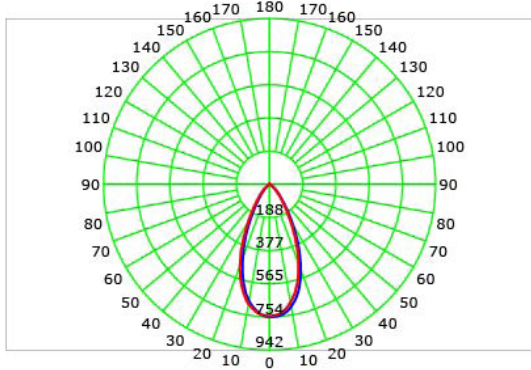
#### Illuminance at a Distance



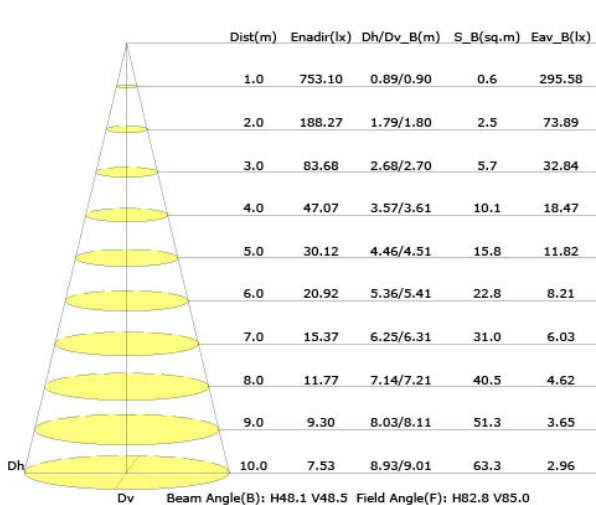
## PHOTOMETRIC INFORMATION / 40D

### COLOR TEMPERATURE / 1800K - 4000K

#### Luminous Intensity Distribution Curve

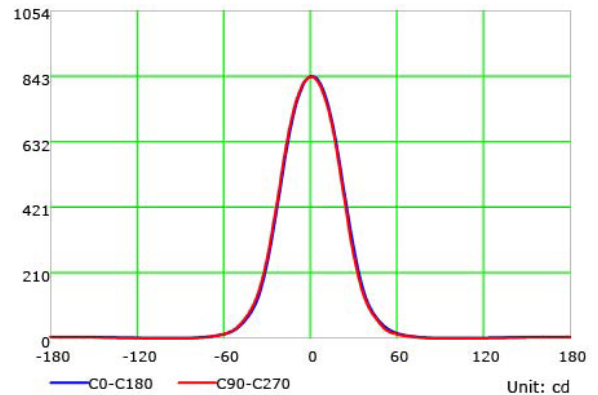
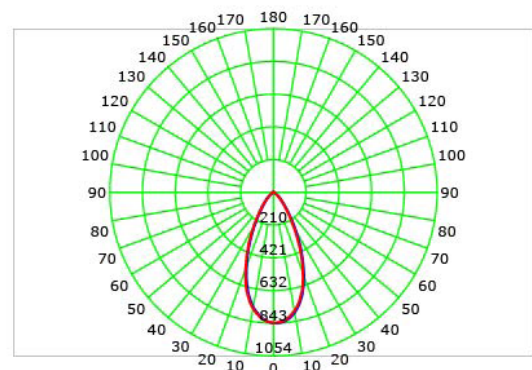


#### Illuminance at a Distance



### COLOR TEMPERATURE / 2700K - 6500K

#### Luminous Intensity Distribution Curve



#### Illuminance at a Distance

