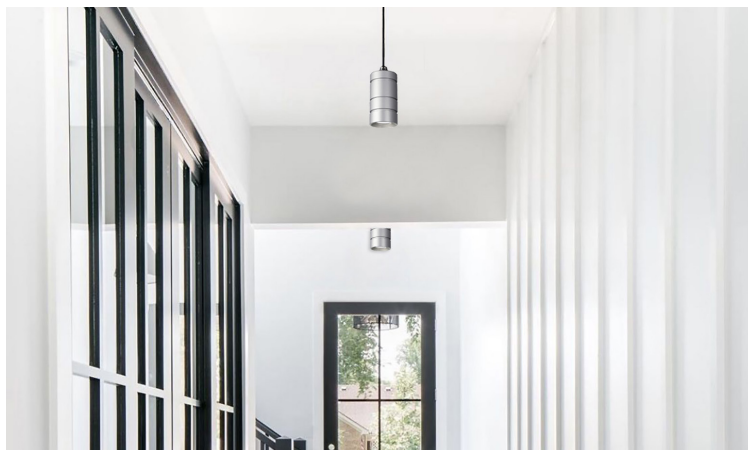


PALMA L SERIES – INDOOR & OUTDOOR



DL Dimmable Lighting
0 to 100% flicker-free dimming



TL Tunable Lighting



Working Temperature



3 Year Limited
Warranty



1800K to 4000K

2200K to 5000K

2700K to 6500K

SPECIFICATIONS

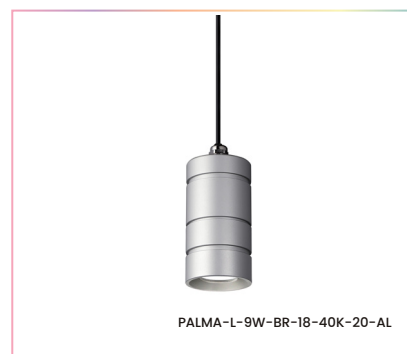
Wattage	9 Watts
Lumens Range	390Lm - 400 Lm
Beam Angle	40°
LED CRI	≥95Ra
Input Voltage	48 Volts, RJ45
LED Type	CTM-9 /Luminus
Housing material	Aluminum
Dimensions	Ø50*H109.2mm
Certifications	cULus
Compatible Decoder	DMX-SR-2112 Decoder
Power Supply	PS-SR2112-96 - Power Supply 96W
Working Temperature	-25C to 40C
IP Grade	IP67
Lifespan	50,000 Hours
Warranty	3 Year Limited Warranty

PRODUCT CODES

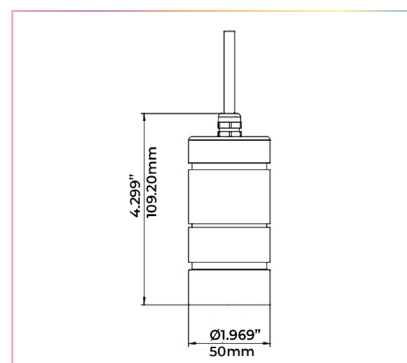
PALMA-L-9W-BR-18-40K-20-AL	PALMA-L-9W-BR-27-65K-20-SS
PALMA-L-9W-BR-18-40K-20-B	PALMA-L-9W-BR-22-50K-20-AL
PALMA-L-9W-BR-18-40K-20-SS	PALMA-L-9W-BR-22-50K-20-B
PALMA-L-9W-BR-27-65K-20-AL	PALMA-L-9W-BR-22-50K-20-SS
PALMA-L-9W-BR-27-65K-20-B	

* Also available in 40 degrees

FRONT VIEW



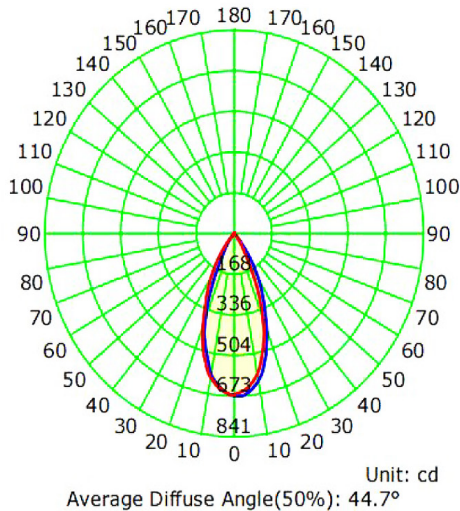
DIMENSIONS



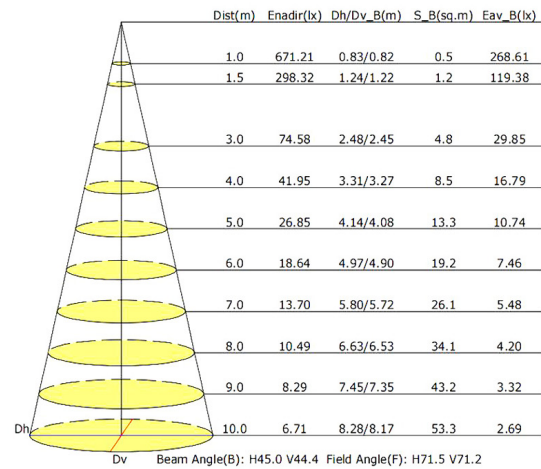
PHOTOMETRIC INFORMATION / 40D

COLOR TEMPERATURE / 1800K - 4000K

Luminous Intensity Distribution Curve



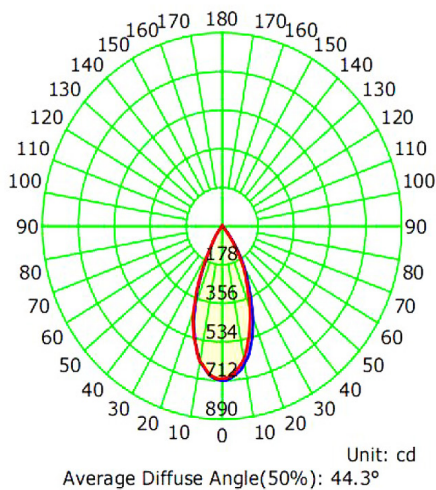
Illuminance at a Distance



PHOTOMETRIC INFORMATION / 40D

COLOR TEMPERATURE / 2700K - 6500K

Luminous Intensity Distribution Curve



Illuminance at a Distance

