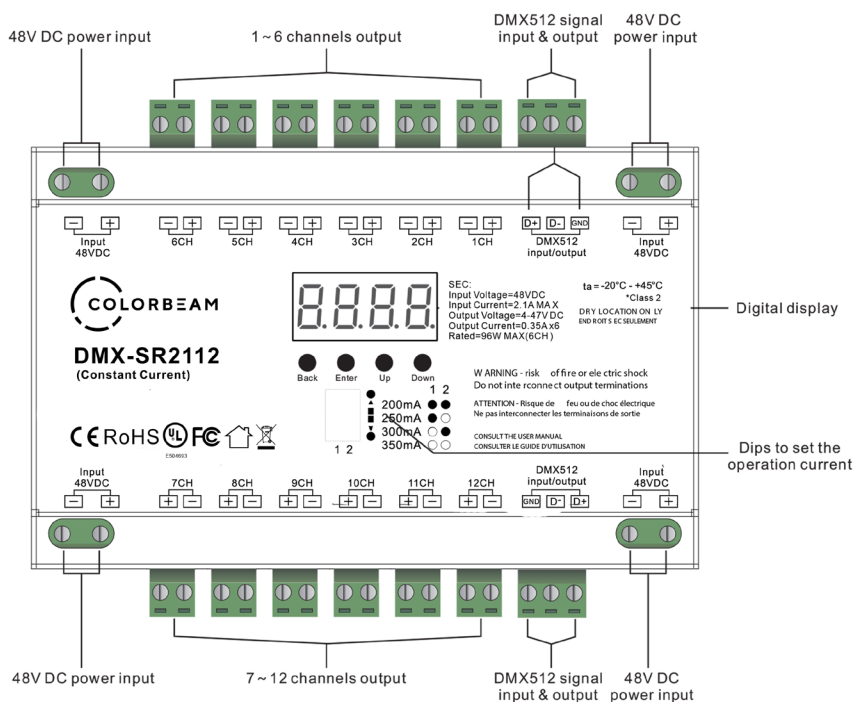


DMX DRIVER & POWER SUPPLY

DMX DRIVER DMX-SR2112



POWER SUPPLY PS-SR2112-96

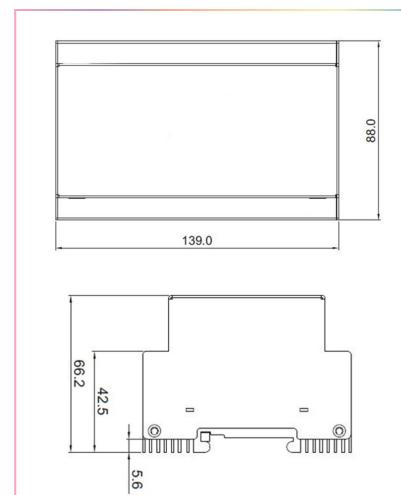


Product Data

Input Voltage	Output Current	Output Voltage	Rated Output Power	Remarks	Size(LxWxH)	Protection
48VDC	12x200mA	4-44VDC	12x8.8W	Constant current	139x88x66.2mm	Short circuit
	12x250mA	4-44VDC	12x11W			
	12x300mA	4-44VDC	12x13.2W			
	12x350mA	4-42VDC	12x14.7W			

- Constant current DMX decoder, operation current 200mA-350mA selectable by DIPs
- Master & decoder mode, RDM function
- Metal housing, digital display to show data directly, easily to set and show DMX address.
- Total 12 PWM output channels. DMX channel quantity 1CH or 12CH settable.
- PWM output resolution ratio 8bit, 16bit settable.
- Output PWM frequency from 500HZ ~ 30K HZ settable.
- Output dimming curve gamma value from 0.1 ~ 9.9 settable.
- Decoding mode settable.
- Galvanic isolation

DIMENSIONS



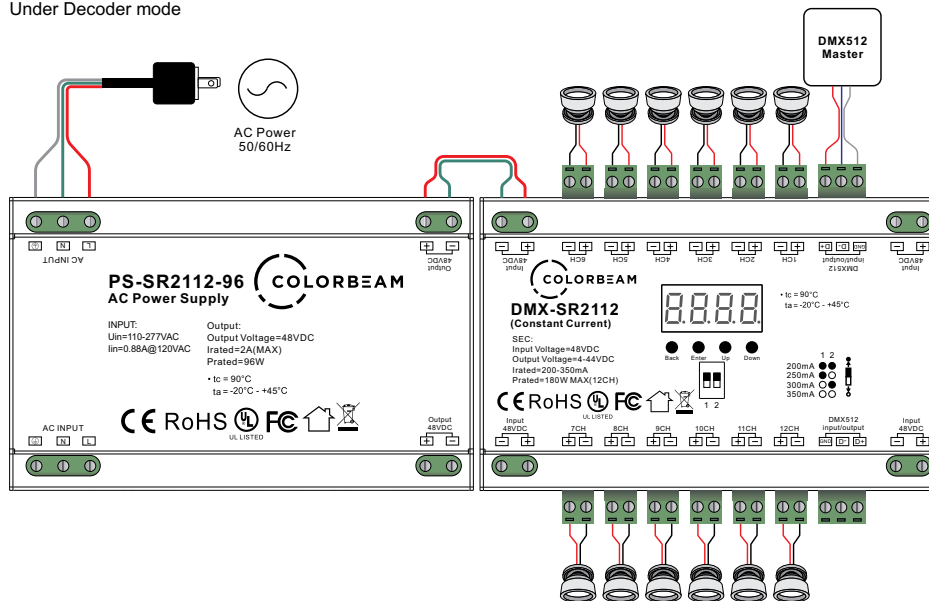
WIRING DIAGRAM

This wiring diagram is only for white only LED

*See Colorbeam's documentation for connecting bi-white and RGB light fixture

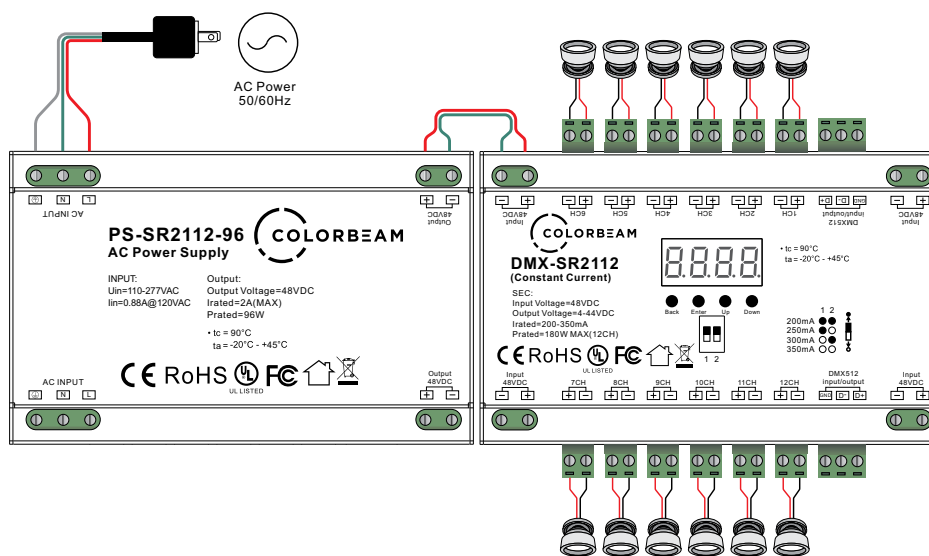
Wiring diagram

Under Decoder mode



Note: Please connect one more power supply to the decoder's another power input terminal if connected loads of the decoder exceed 96W.

Under Master mode(Stand alone)



Note: Please connect one more power supply to the decoder's another power input terminal if connected loads of the decoder exceed 96W.