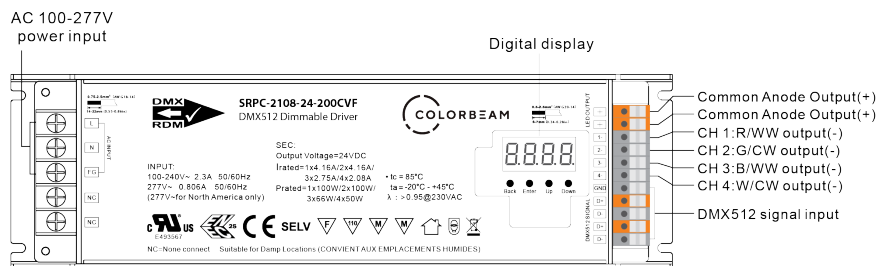


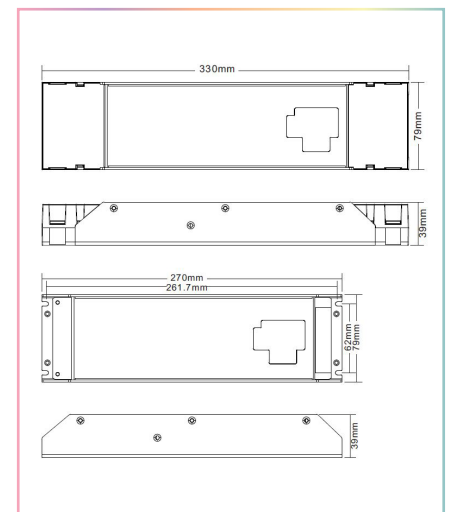
DMX DRIVER / DRV-SRPC2108B-24-200CVF



FEATURES

- Master & decoder mode, DMX/RDM dimming interface
- Dimmable LED driver with rectangle metal case
- 4 channels 12/24VDC constant voltage output
- Class 1 power supply, full isolated metal case
- Built-in two-stage active PFC function
- PF > 0.98, Efficiency > 93%
- Low standby power < 1W
- Enable to set DMX address, DMX channel quantity, PWM output resolution (8 bit or 16 bit)
- Enable to set PWM output frequency, GAMMA ray dimming curve value and DMX decoding mode
- DMX512(2008), DMX512-A and RDM V1.0 (E1.20 – 2006 ESTA Standard)
- Compliant with Safety Extra Low Voltage standard
- Short circuit, over load, over temperature protection
- IP20 rating, suitable for indoor LED lighting applications
- 3 year warranty

DIMENSIONS

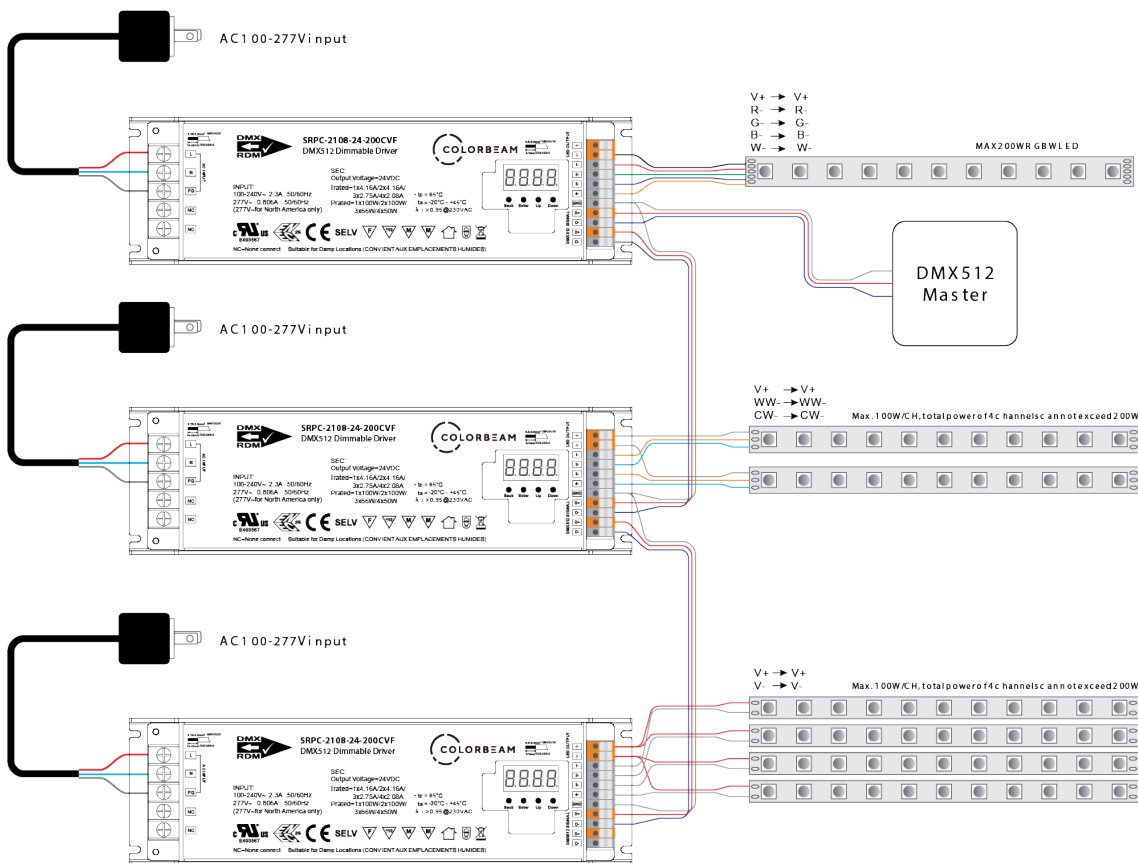




SPECIFICATION SHEET
DRV-SRPC2108-24-200CVF

KEY FEATURES	
CHANNELS	4
POWER SUPPLY	Internal
DRIVER SEC TOTAL OUTPUT EACH OUTPUT	Max. 200W 1x100W/ 2x200W 3x66W/ 4x50W
INPUT VOLTAGE INPUT CURRENT	100-277V AC 2.3A@100VAC/ 1A@230VAC
OUTPUT VOLTAGE OUTPUT CURRENT	24VDC 8.3A
IRATED (EACH CHANNEL)	1x4.16A/ 2x4.16A 3x2.75A/ 4x2.08A
PRATED (EACH CHANNEL)	1x100W/ 2x200W 3x66W/ 4x50W
ZONES *VARIABLE TO THE POWER REQUIRED FOR THE LUMINAIRES	4 zones for White-only 1 zone for Bi-white 1 zone for RGB 1 zone for RGBW
DMX IN/OUT PORTS	Push pin connection
PRODUCT COMPATIBILITY	Giulia, Roma, LED Tape, LED Panel, FL Series, LL Series, Tega-IN, Tega-DR, Tega-SP, Gaia, Maya and Duomo
WORKING TEMPERATURE	-20°C+45°C
MAX. CASE TEMP.	85°C
LIFESPAN	193.6K hrs min @ 230VAC full load and 25° ambient temperatures
DIMENSIONS	270 x 79 x 39 mm

WIRING DIAGRAMS



Product Dimension

